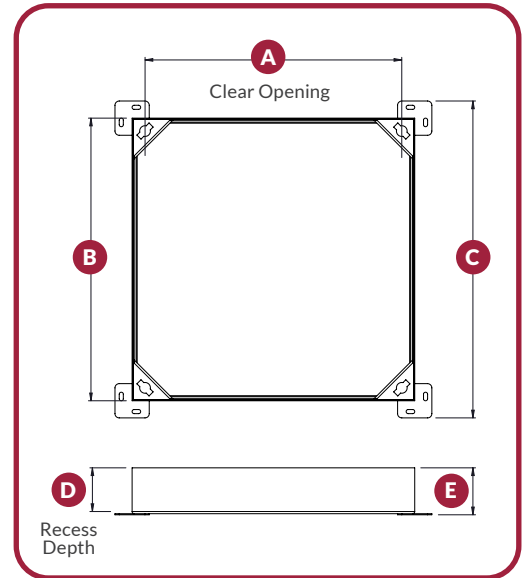
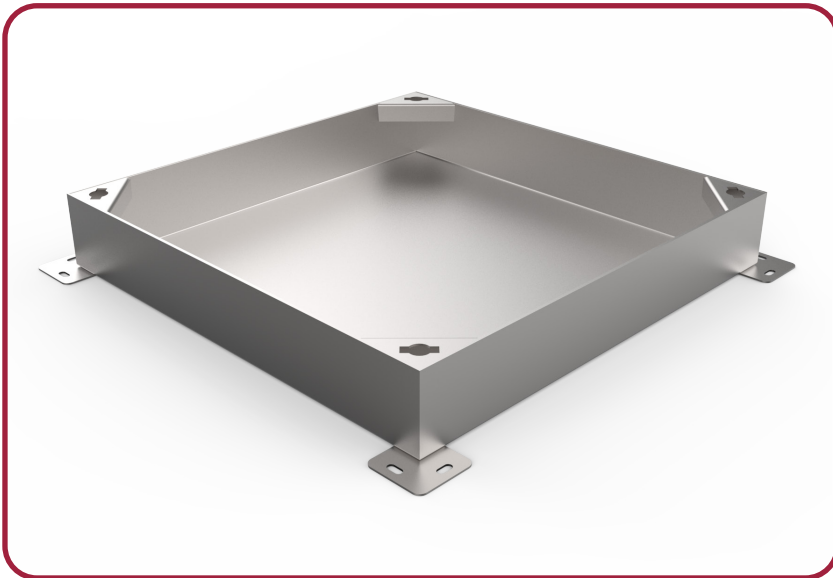


THOMAS DUDLEY UTILITY PRODUCTS

GALVANISED STEEL RECESSED COVERS & FRAMES

Thomas Dudley's range of high quality steel recessed covers and frames offer the following features & benefits -

- Range of clear opening sizes
- 80mm or 100mm Deep
- Load Rating - 10T gross plated weight
- Suitable for block paving or slabs
- Galvanised steel for enhanced durability, strength & corrosion resistance
- 4 keyway locations for easy lifting



A	B	C	D	E	Code
600 x 600mm	660 x 660mm	740 x 740mm	100mm	110mm	375429
600 x 600mm	660 x 660mm	740 x 740mm	80mm	90mm	375509
600 x 450mm	660 x 510mm	740 x 590mm	100mm	110mm	375470
600 x 450mm	660 x 510mm	740 x 590mm	80mm	90mm	375510
450 x 450mm	510 x 510mm	590 x 590mm	100mm	110mm	375471
450 x 450mm	510 x 510mm	590 x 590mm	80mm	90mm	375511
300 x 300mm	360 x 360mm	440 x 440mm	100mm	110mm	375472
300 x 300mm	360 x 360mm	440 x 440mm	80mm	90mm	375512