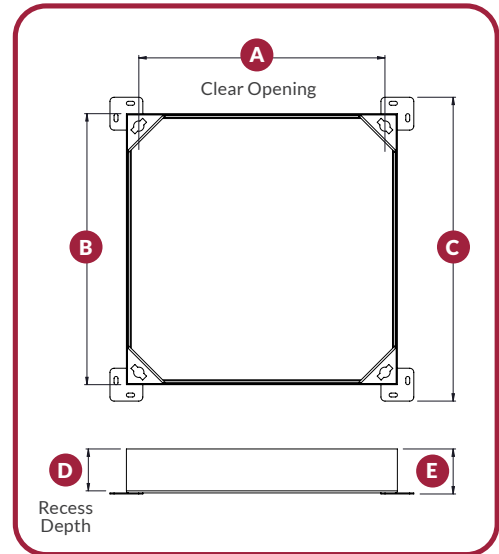
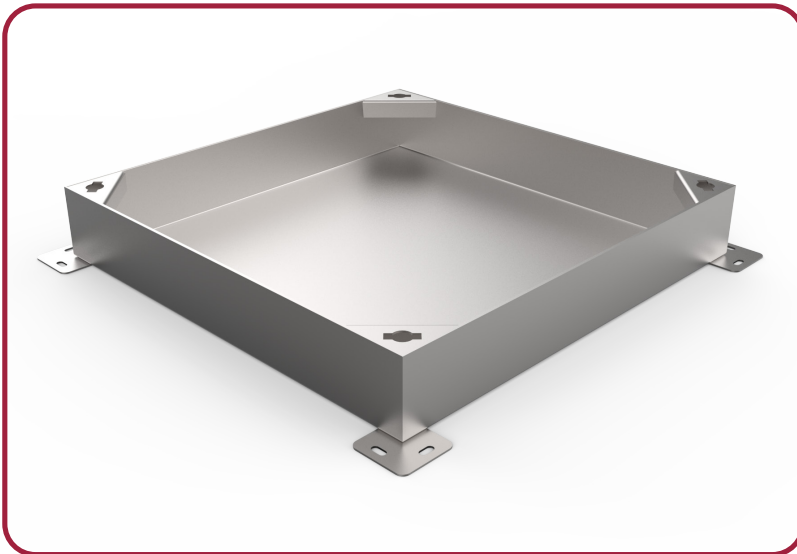


10T LOADING RECESSED FOR BLOCK INFILL

UTILITY
PRODUCTS

TD



Specification Info:

- Recessed cover for block infill.
- Plain seated (Unsealed) – Unlocked.
- Heavy duty corner lifting points.
- 80mm or 100mm tray depth respectively.
- Plain internal tray for bedding and block infill.
- Galvanised and certified to BS EN ISO 1461.

Features and Benefits:

- Load rated to 10T (GLVW)
- Suitable for driveways and pedestrian applications.
- TD Load standard, see reverse.
- Corrosion-resistant galvanised coating.
- Expected service life: 25+ years.

A	B	C	D	E	Code
300 x 300mm	360 x 360mm	440 x 440mm	80mm	90mm	375512
*300mm dia	360 x 360mm	440 x 440mm	80mm	90mm	379046
300 x 300mm	360 x 360mm	440 x 440mm	100mm	110mm	375472
*300mm dia	360 x 360mm	440 x 440mm	100mm	110mm	379048
450 x 450mm	510 x 510mm	590 x 590mm	80mm	90mm	375511
*450mm dia	510 x 510mm	590 x 590mm	80mm	90mm	379047
450 x 450mm	510 x 510mm	590 x 590mm	100mm	110mm	375471
*450mm dia	510 x 510mm	590 x 590mm	100mm	110mm	379049
600 x 450mm	660 x 510mm	740 x 590mm	80mm	90mm	375510
600 x 450mm	660 x 510mm	740 x 590mm	100mm	110mm	375470
600 x 600mm	660 x 660mm	740 x 740mm	80mm	90mm	375509
600 x 600mm	660 x 660mm	740 x 740mm	100mm	110mm	375429

* Square to round designs. Circular opening to suit PPIC.

Infill:

As standard the cover can take all infill's:

- Bedding and solid infill's like tactile paving, granite sets, concrete slabs etc.
- Sand and cement bedding and final tarmac finish.

Accessories:

- Heavy duty short handle lifting key (each) Code (379206)
- Heavy duty long handle lifting key (each) (379207)
- M12 through bolts for frame fixing (4no) Code (379211)
- Keyway Cap - Code (379207)

Fitting:

- Unit must be fitted with cover in the frame.
- Minimum 25mm rapid set bedding mortar recommended.
- Additional concrete surround of 30mm covering in building in lugs.
- Alternatively, the frame can be bolted down through the 13mm holes in the lugs. Fixings not provided – see accessories.

Access:

- Cover to be lifted using heavy duty lifting keys via corner lifting points.
- 4no lifting keys required for two-person lift-out.

Maintenance:

- 6-month maintenance recommended.
- Removal of cover and light brush to clean debris from frame seating.

How our products align with FACTA

		Traditional SMWL Import	Thomas Dudley Import	Thomas Dudley British Made (FACTA)
Service Test 1	Minimum SMWL	25kN	25kN	25kN
	Minimum SMWL Plus (Overload and Dynamic Effects)	N/A	32kN	32kN
	Permanent Set Max Tolerance (Opening x8%)	N/A	< 4.8mm	< 4.8mm
Ultimate Test 2	Minimum Ultimate Test (SMWL + 0%)	25kN	32kN	32kN
	Ultimate Test Plus Safety Factor	N/A	SMWL+40% 44.8kN	SMWL+60% 52kN

NOTE - Based in a 600 x 600 C/O